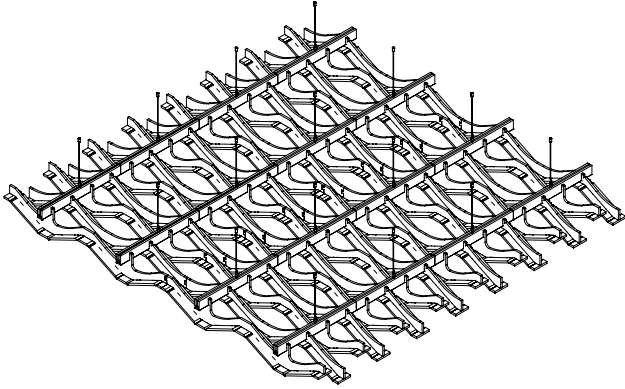
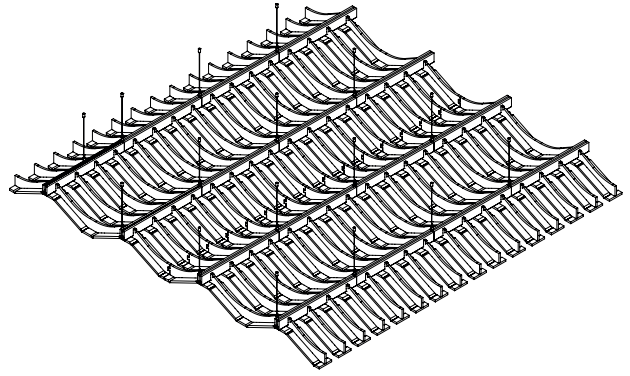


# AMPLITUDE BAFFLE SYSTEM



WEAVE



WAVE

## INSTALLATION HARDWARE



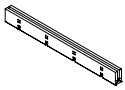
**UPPER SUSPENSION HOUSING**  
QUANTITY: Specific to order



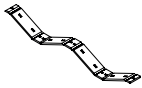
**LOOPING CABLE GRIPPER**  
QUANTITY: Specific to order | CG7250



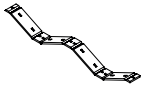
**T-BAR**  
QUANTITY: Specific to order



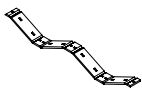
**SPACER**  
QUANTITY: Specific to order



**RIGHT RIBBON**  
QUANTITY: Specific to order



**LEFT RIBBON**  
QUANTITY: Specific to order



**MIDDLE RIBBON**  
QUANTITY: Specific to order



**RIGHT CREST**  
QUANTITY: Specific to order



**RIGHT VALLEY**  
QUANTITY: Specific to order



**LEFT CREST**  
QUANTITY: Specific to order



**LEFT VALLEY**  
QUANTITY: Specific to order



**MIDDLE CREST**  
QUANTITY: Specific to order



**MIDDLE VALLEY**  
QUANTITY: Specific to order

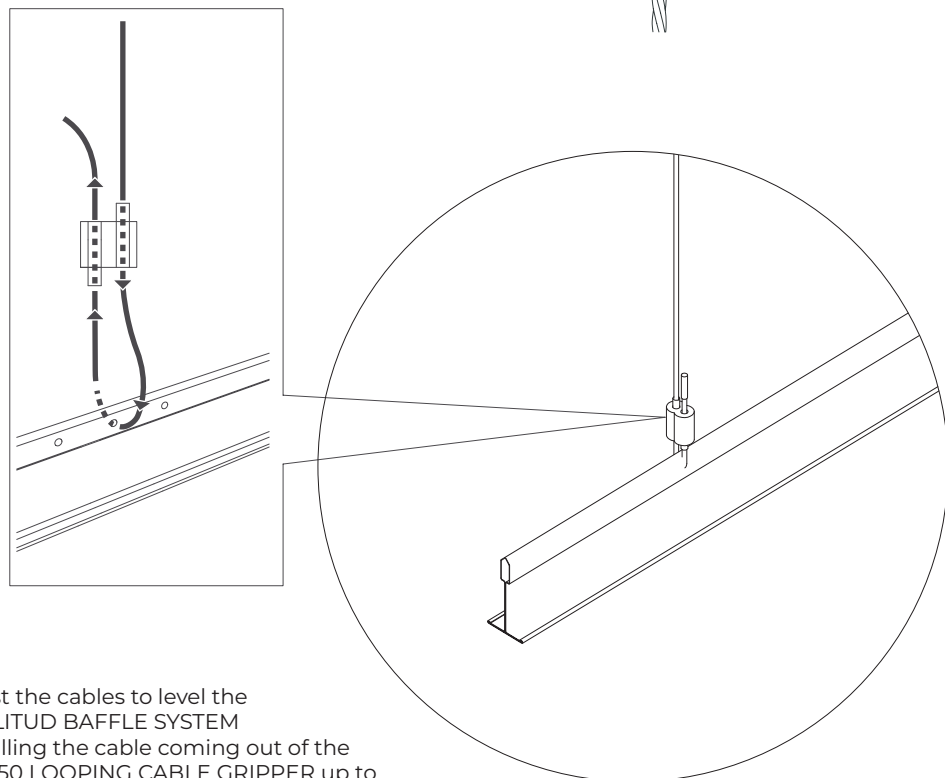
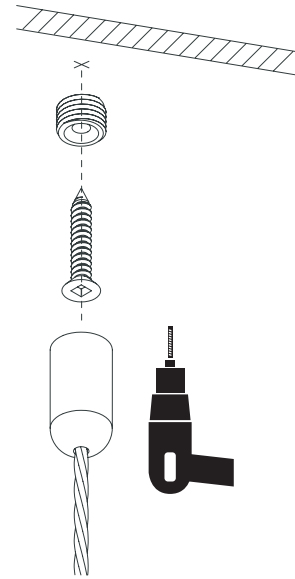
\*Images reflect typical hardware options. Please refer to packing list for items & quantities specific to your order.  
\*\* Spacer Qty's & size could vary based on ceiling conditions

**RECOMMENDED TOOLS**  
Drill - Level - Laser - Wire Cutter

INSTALLATION INSTRUCTIONS

# AMPLITUDE BAFFLE SYSTEM

- 1** Clear appropriate sized floor space below install location.  
\*Confirm the install location and the direction the AMPLITUD BAFFLE SYSTEM.
- 2** Locate available suspension points on ceiling in relation to AMPLITUD BAFFLE SYSTEM suspension locations.
- 3** Screw the CF6-01 UPPER SUSPENSION HOUSING to the ceiling.  
*(\*Screws, hand drill not included)*

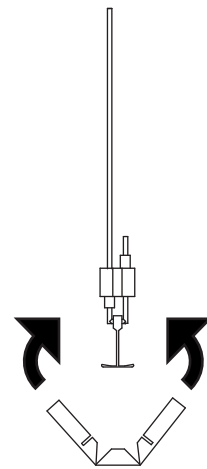
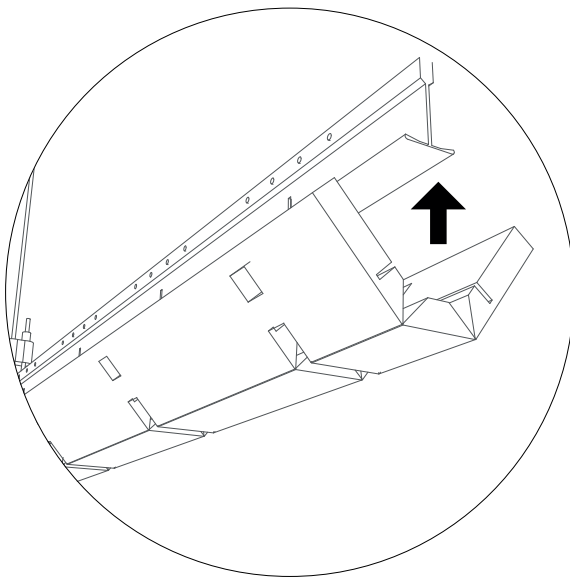


- 4** Adjust the cables to level the AMPLITUD BAFFLE SYSTEM by pulling the cable coming out of the CG7250 LOOPING CABLE GRIPPER up to the desired final height.

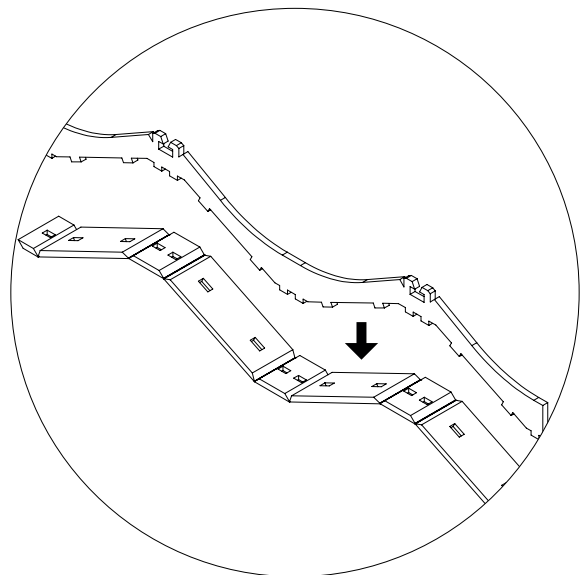
INSTALLATION INSTRUCTIONS

# AMPLITUDE BAFFLE SYSTEM

- 5** Snap on the SPACER onto the T-BAR.

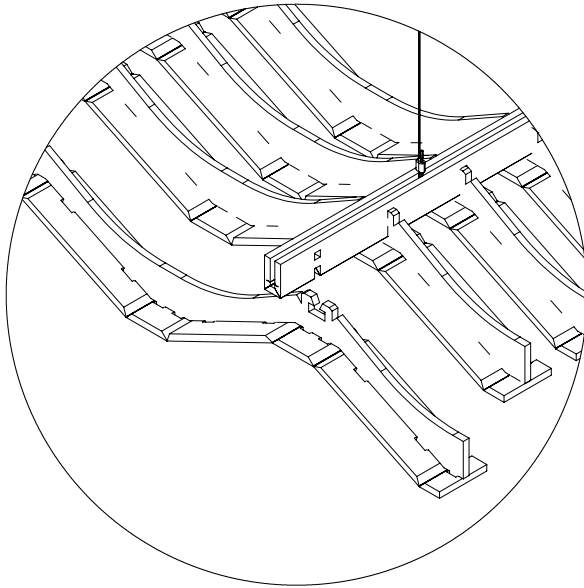


- 6** Push the RIBBON onto the RIB in order to embed it.



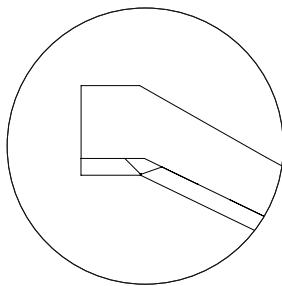
INSTALLATION INSTRUCTIONS

# AMPLITUDE BAFFLE SYSTEM

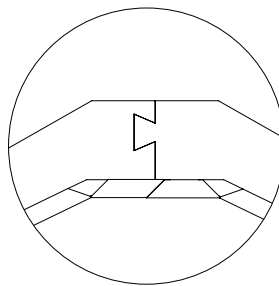


- 7** The SPACERS wrap around the bottom of the T-BAR and pressure fit into the cut slits on each side of the inside of the SPACER. The SPACERS will facilitate the proper spacing between each RIB line.

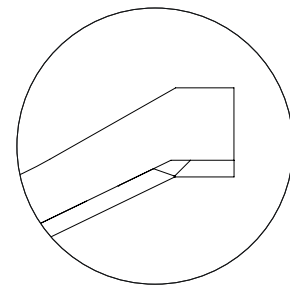
Some of the different endings you can find on AMPLITUDE BAFFLE SYSTEM structure:



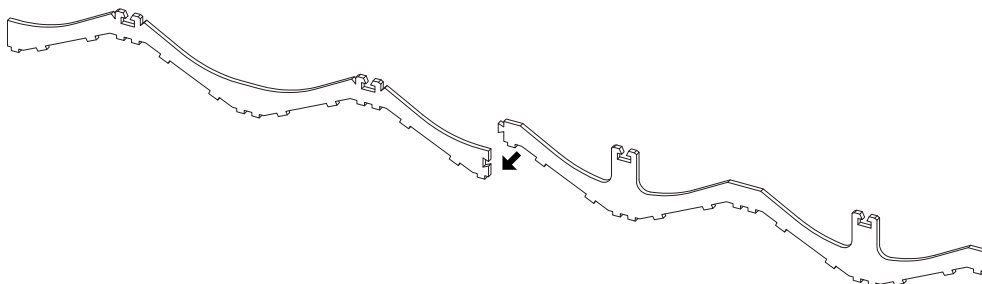
**A** Left end condition.



**B** End of pieces in the middle



**C** Right end condition.



## CANADA

---

### Ayrsonics Inc - Ontario

825 Trillium Drive  
Kitchener, Ontario N2R 1J9  
P: 1-844-441-1122  
sales@ayrsonics.com

### Ayrsonics Inc - Alberta

#9112 – 52nd St. S.E.  
Calgary, Alberta T2C 5A9  
P: 1-844-441-1122  
sales@ayrsonics.com

### EzoBord Corporate Office

6845 Rexwood Road,  
Unit 7 Mississauga,  
ON L4V 1S5 Canada  
+1 416 665 3571  
info@ezobord.com

---

## UNITED STATES

### Ayrsonics Mid West LLC

170 Prairie Lake Rd  
East Dundee, IL 60118  
P: 1-800-517-0686  
sales@mw.ayrsonics.com

### Ayrsonics Southwest LLC

8934 Eton Ave  
Canoga Park, CA 91304  
213-833-9700  
sales@sw.ayrsonics.com

### EzoBord UK Limited

Unit 20, Westwood Business Park  
Margate, Kent. CT9 4JJ  
+44 1843 264027  
sales@ezobord.co.uk

### Ayrsonics Southeast LLC

15 Enterprise Way  
Dahlonega, GA 30533  
706-539-4711  
Keith Lacy  
sales.ase@ayrsonicsusa.com

### Ayrsonics New England LLC

32 Hampshire Rd  
Salem, NH 03079  
603-824-9338 ext. 3001  
603-327-4349  
sales@ne.ayrsonics.com

## IRELAND

---

### EzoBord Ireland Limited

Inniscarra, Main Street,  
Rathcoole, Co. Dublin,  
D24 EO29, Ireland  
+353-14854774  
sales@ezobord.ie

---

## CENTRAL & LATIN AMERICA

### EzoBord Costa Rica SRL

100 Sur 25 Oeste Recope  
Bodega #18 Ochomogo, Cartago  
+506 8842 4613  
info-latam@ezobord.com

### EzoBord - LATAM

Buenos Aires, Argentina  
+54 9 11 5657 1793  
info-latam@ezobord.com

FOLLOW US

